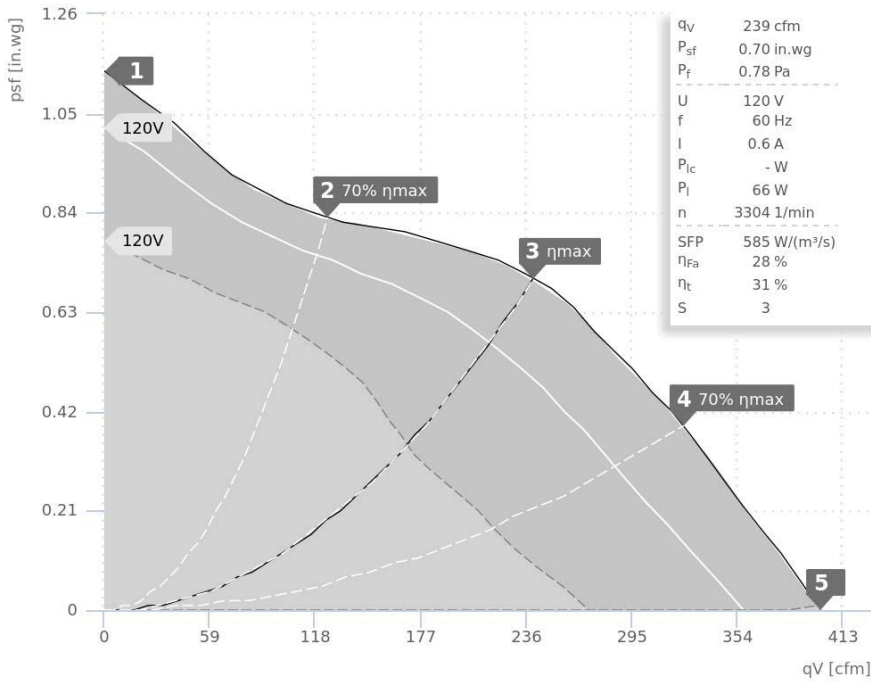


# DATA SHEET

## 6" S-Prime Evo | 147626



Operating Point		1	2	3	4	5
Current I	A	0,5	0,5	0,6	0,6	0,6
Power consumption P <sub>i</sub>	W	60	58	66	70	68
RPM n	1/min	3360	3375	3304	3277	3298
SPL inlet L <sub>WA5</sub>	dB(A)	60	60	64	64	65
SPL outlet L <sub>WA6</sub>	dB(A)	60	61	64	66	66
SPL casing break out L <sub>WA2</sub>	dB(A)	52	51	53	55	55

Sound power (L <sub>W</sub> ) dB(A)		Medium Frequency Band								
		Σ	63	125	250	500	1k	2k	4k	8k
Inlet	L <sub>WA5</sub>	64	31	54	59	60	52	52	50	44
Outlet	L <sub>WA6</sub>	64	33	49	60	61	54	51	44	33
Casing	L <sub>WA2</sub>	53	35	38	45	50	47	40	31	28

6" S-Prime Evo   147626	
Voltage U <sub>N</sub>	120 V 1~
Current I <sub>max</sub>	0,7 A
Ambient temperature t <sub>A</sub>	40 °C
Medium temperatures t <sub>M</sub>	40 °C
Speed Control	3-2-1
Motor protection	TAI
Insulation class motor	F
Weight	7,0 kg
Poles	2
IP motor	IP00
IP terminal box	IP44
Min. operating temperature	-25 °C

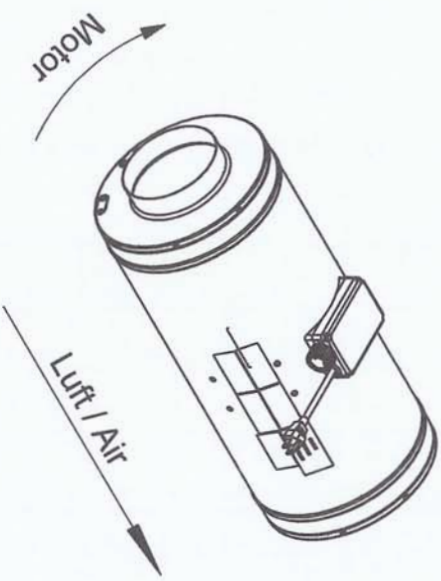
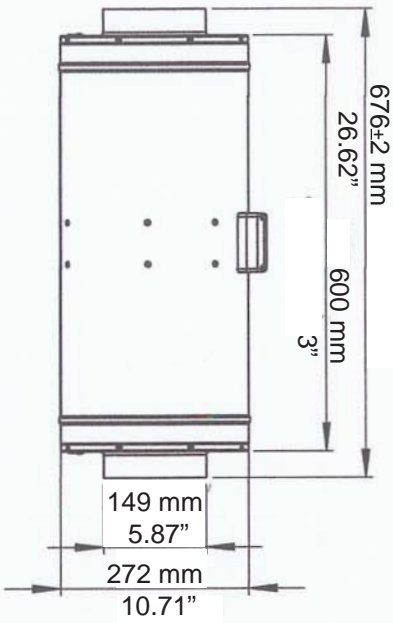
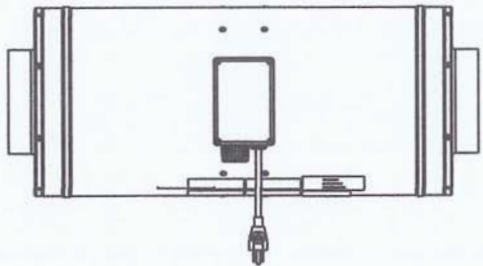
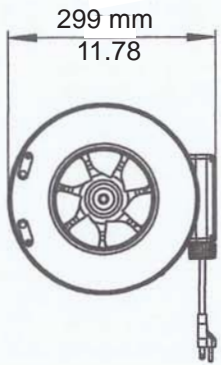
### Ruck Air Movement - Master Series by



2082 58th Ave. Circle E.  
Bradenton, FL 34203

Phone: 941.739.0879  
Fax: 941.739.0881

www.mastervent.com marion.pye@mastervent.com

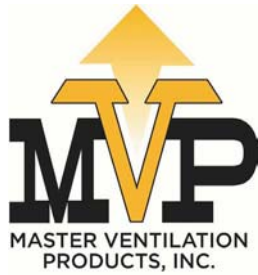


MASTER VENTILATION  
PRODUCTS, INC.  
www.mastervent.com  
marion.pye@mastervent.com

2082 58th Ave. Circle E.  
Bradenton, FL 34203

Phone: 941.739.0879  
Fax: 941.739.0881

6" S-Prime EVO 147626



**SUBMITTAL DATA and SPECIFICATIONS for MVP/RAM SERIES**

**SERIES: Mixes Flow**

**S-Prime Models and S-Prime EVO Models**

**Application:** Inline Mixed Flow Fans/Blowers designed for supply Exhaust applications in Residential, Commercial, Light Industrial and OEM market.

**Manufacturer:** Ruck (EU)

**Material of Construction:** All Models shall be constructed with Galvanized Steel Housing and Impeller. All Housings Shall be Insulated for very low operating sound.

**Impeller:** Impeller shall be Precision Computer Designed Efficient Mixed Flow Style. Material Temperature Limitations: Shall be 40C/104F for Ambient and Medium.

**Motors:** All Models shall be 120V/1/60 AC. Motors shall be Thermally Protected. Motors shall be Speed Controlled with integral 3 Speed Step Switch included with each Model. Motors shall be rated Continuous Duty with sealed for life maintenance free ball bearings. Motors shall be Thermally Protected. Motor shall be in the airstream for efficient heat dissipation and will be encased in Housing Material of Construction.

**Mounting Bracket:** Shall be included as Standard and integral with all Models.

**Safety Certifications:** All fans shall conform to ANSI/UL 507 Standard and Certified to Canada Standard C22.2 NO. 113. Intertek 5030171. Fans shall bear the C ETL US Mark on Fan Label.

**Performance and Sound Certification:** Shall be certified to ISO 5801 Standards.

PROJECT				ARCHITECT				
CONTRACTOR		DATE	SUBMITTED BY		ENGINEER			
<b>SPECIFICATION</b>								
Fan Position	Model #	CFM	In. WG	RPM	Watts	Voltage / Phase	Qty	Accessories

**WARNING: DO NOT USE IN HAZARDOUS ENVIRONMENTS WHERE FAN'S ELECTRICAL SYSTEM COULD PROVIDE IGNITION TO COMBUSTIBLE OR FLAMMABLE MATERIALS!**